



### HEAVY-DUTY FINE CUT RIFFLES

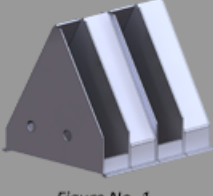


Figure No. 1  
(Original "Coarse Cut" Riffles)

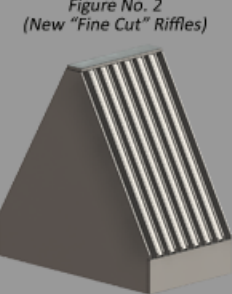


Figure No. 2  
(New "Fine Cut" Riffles)

Material Options:  
Carbon Steel - AR 400 Plate - STI Plus Material

Some vertical spindle type pulverizers (suction and pressurized) are equipped with riffles that are prone to wear and should be inspected and replaced as needed. Riffles that are manufactured from thin materials will wear out quickly. In addition, many of them have poor distribution performance as well. Storm Technologies manufactures heavy-duty fine cut riffles that are nearly 50% thicker than typically designed and have solid dividers. For a case example, Table No. 1 illustrates where "coarse cut" riffles (Figure No. 1) were installed on all mills with the exception of "fine cut" riffles (Figure No. 2) installed on Mill D. The data shows that the distribution is better for Mill D.

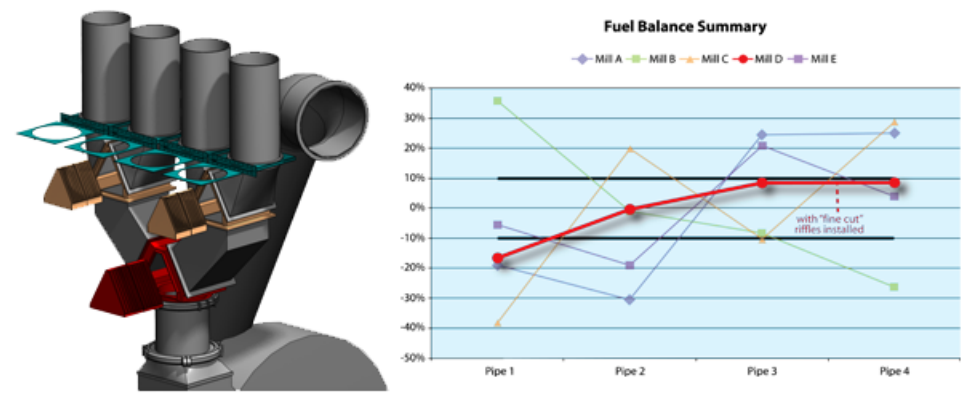
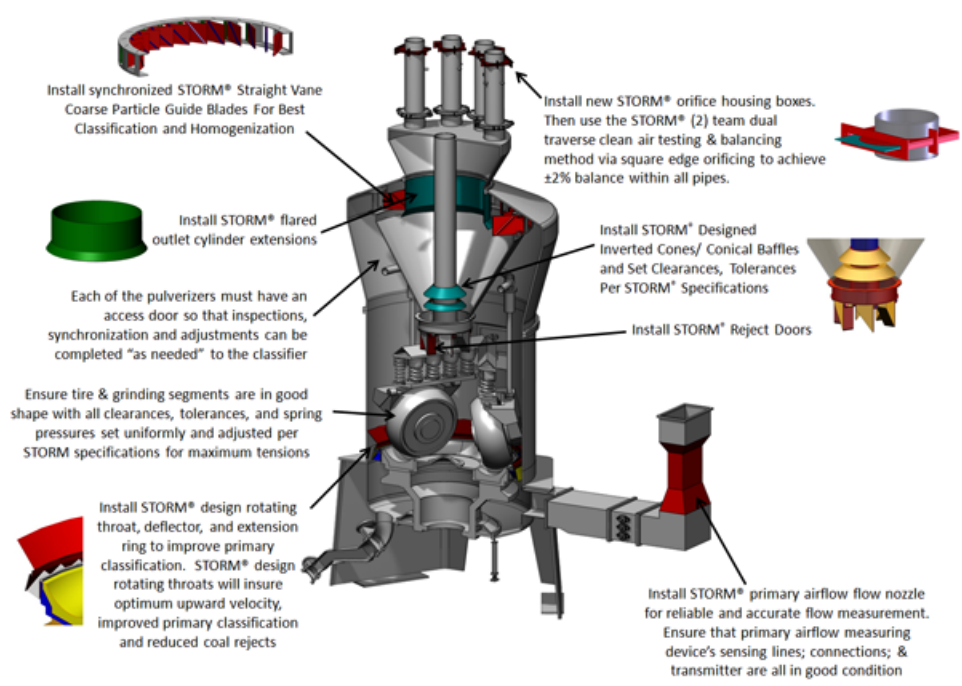


Table No. 1 - Fuel Balance Summary – Fine vs. Coarse Cut Riffles (Heavy duty fine cut riffles provided by STORM in Mill D Only)

### STORM MPS Pulverizer Recommendations:



### STORM CE Pulverizer Recommendations:

